



## Picture



X-ray view

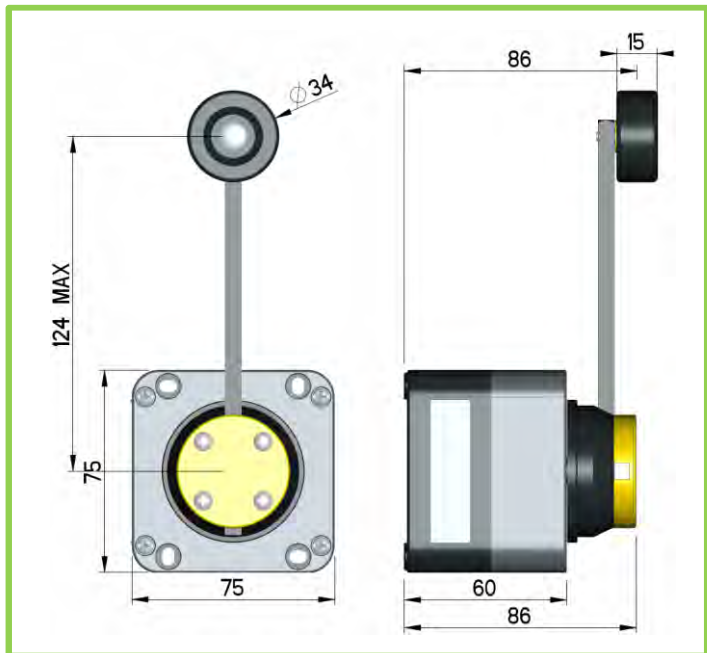
□ contact open  
■ contact close

## Versions

<b>FFH2C</b>	single speed	<p>3 positions automatic return to "0" with mechanical interlock (●)</p>	<table border="1"> <tr> <td>3-4</td> <td>□</td> <td>■</td> <td>□</td> </tr> <tr> <td>1-2</td> <td>□</td> <td>■</td> <td>□</td> </tr> <tr> <td>Cont. Pos.</td> <td>-65°</td> <td>0</td> <td>+65°</td> </tr> </table>	3-4	□	■	□	1-2	□	■	□	Cont. Pos.	-65°	0	+65°
3-4	□	■	□												
1-2	□	■	□												
Cont. Pos.	-65°	0	+65°												
<b>FFH2C-1</b>	single speed	<p>3 positions automatic return to "0" with mechanical interlock (●)</p>	<table border="1"> <tr> <td>3-4</td> <td>□</td> <td>■</td> <td>□</td> </tr> <tr> <td>1-2</td> <td>□</td> <td>■</td> <td>□</td> </tr> <tr> <td>Cont. Pos.</td> <td>-65°</td> <td>0</td> <td>+65°</td> </tr> </table>	3-4	□	■	□	1-2	□	■	□	Cont. Pos.	-65°	0	+65°
3-4	□	■	□												
1-2	□	■	□												
Cont. Pos.	-65°	0	+65°												

↑ Other versions available on request

## Dimensions



## Characteristics

Standards	IEC/EN 60947/3	
Case	self extinguishing housing V0 UL94	
Protection class IEC/EN 60529	IP65 (double insulation □)	
Cam switch	enclosed thermal current [Ithe]	20A
	rated insulation voltage [Ui]	690V
	product ID	PX20 Giovenzana line
	contacts	double gap positive opening ▶
	markings	
Cable entry	1xM20 + 1xM16	
Versions	single speed motor configuration (other configuration on request)	
Notes	- fully adjustable metallic rods □ 6x120mm - reinforced mechanical stop - rubber covering wheel	

## Reinforced mechanical stop insert

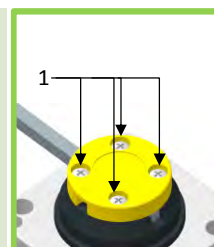


## Section view



## Rod adjusting guide

- I. Loosen the four screws (1)
- II. Adjust the rods
- III. Tighten the four screws (1)



## Fixing holes

