

Energy and data transmission

CT Series conductors

Round cable with dual strain relief cords



TECHNO-LIFTING EQUIPMENT

ROUND CABLE WITH DUAL STRAIN RELIEF STEEL WIRES - S05VVD7-F

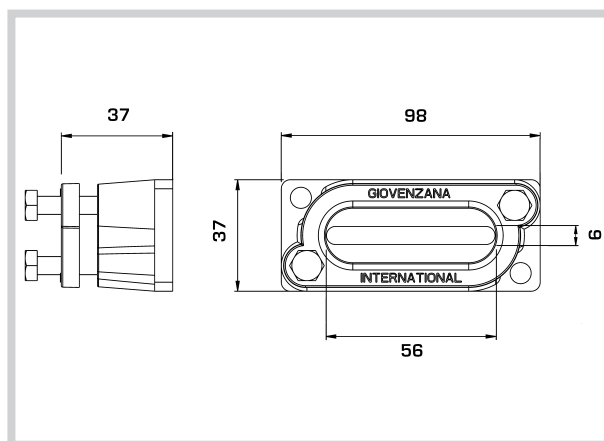
Made for heavy duty applications in particular for pendant push button stations and moving electromechanical components. The two steel wire ropes are embedded, diametrically opposed to PVC sheathing. The rope cut into lengths and just hooked the steering control to avoid any stress on the cable.



- Comply with CEI 20 - 22 II (flame resistant)
- Insulation class 2/3
- Operational voltage 300/500V
- Sheathing colour blue
- Internal conductors with flexible PVC Sheathing progressively numbered, plus earth conductor (yellow/green)
- Operating temperature: -5°C +70°C
- Ø 2mm steel wires
- Breaking point: 60 kg/mm²

CODE	N° CROSS SECTION	APPROXIMATE OUTER CABLE Ø	DIMENSIONS WIRE ROPE	STRAND n./ mm	APPROXIMATE WEIGHT gr/m	TOTAL CROSS SECTION mm ²
CT0815AUAF	8X1,5	11,6	23,6	30X0,25	225	12
CT1215AUAF	12X1,5	14,4	26,4		315	18
CT1615AUAF	16X1,5	16	28		415	24
CT1815AUAF	18X1,5	17	29		470	27
CT2015AUAF	20X1,5	18	30		525	30
CT2415AUAF	24X1,5	21	33		620	36

FLAT CABLE



12903010